

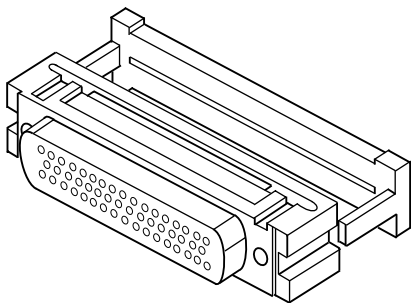
**WARNING** The information in this packing sheet is intended for use by qualified service personnel only. Do not assemble connectors or make connections to them unless qualified to do so. Failure to recognize and observe normal safety precautions could result in personal injury or death.

Do not exceed 42V peak anywhere in a test system that uses IDC ribbon cable.

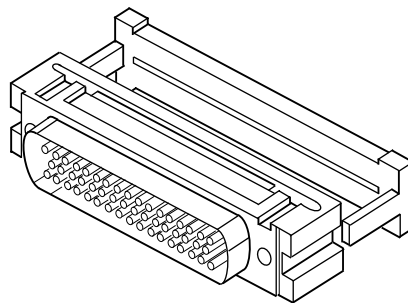
The Model 7790 connector kit is made up of three IDC ribbon cable connectors:

- 50-pin female D-shell IDC — This ribbon cable connector (Figure 1A) mates to the 50-pin male D-shell on Model 7707 switching module.
- 50-pin male D-shell IDC — This ribbon cable connector (Figure 1B) mates to the 50-pin female D-shell on Models 7701, 7703, and 7709 switching modules.
- 25-pin male D-shell IDC — This ribbon cable connector (Figure 1C) mates to the 25-pin female D-shell on Models 7701, 7707, and 7709 switching modules.

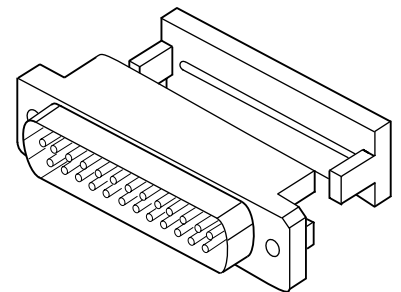
Figure 1  
**IDC connectors**



**A. 50-pin Female IDC**



**B. 50-pin Male IDC**



**C. 25-pin Male IDC**

# Connector parts

The individual parts for each connector are bagged separately. The following table lists the parts for each connector.

Table 1  
Connector parts

Qty	Description	Keithley P/N	Qty	Description	Keithley P/N	Qty	Description	Keithley P/N
1	50-pin female IDC:	7707-306	1	50-pin male IDC:	7709-306	1	25-pin male IDC:	7709-307
1	Housing	—	1	Housing	—	1	Housing	—
1	Strain relief	—	1	Strain relief	—	1	Strain relief	—

## Connections

**WARNING** Do not exceed 42V peak anywhere in a test system that uses IDC ribbon cable.

Standard 25-conductor and 50-conductor IDC ribbon cable is to be used with the IDC ribbon cable connectors. This cable is available from Keithley:

- 50-conductor IDC cable — Keithley P/N: 15020.
- 25-conductor IDC cable — Keithley P/N: 15025.

**WARNING** Before handling any connector (or cable assembly), make sure all power has been removed from it.

The individual wires of IDC ribbon cable are color coded. Use Figure 2 as a guide when attaching an IDC connector to the ribbon cable.

**NOTE** Refer to the appropriate section of the Model 77xx Series Switching Modules Instruction Manual for switching module terminal identification.

Figure 2  
IDC ribbon cable assemblies

